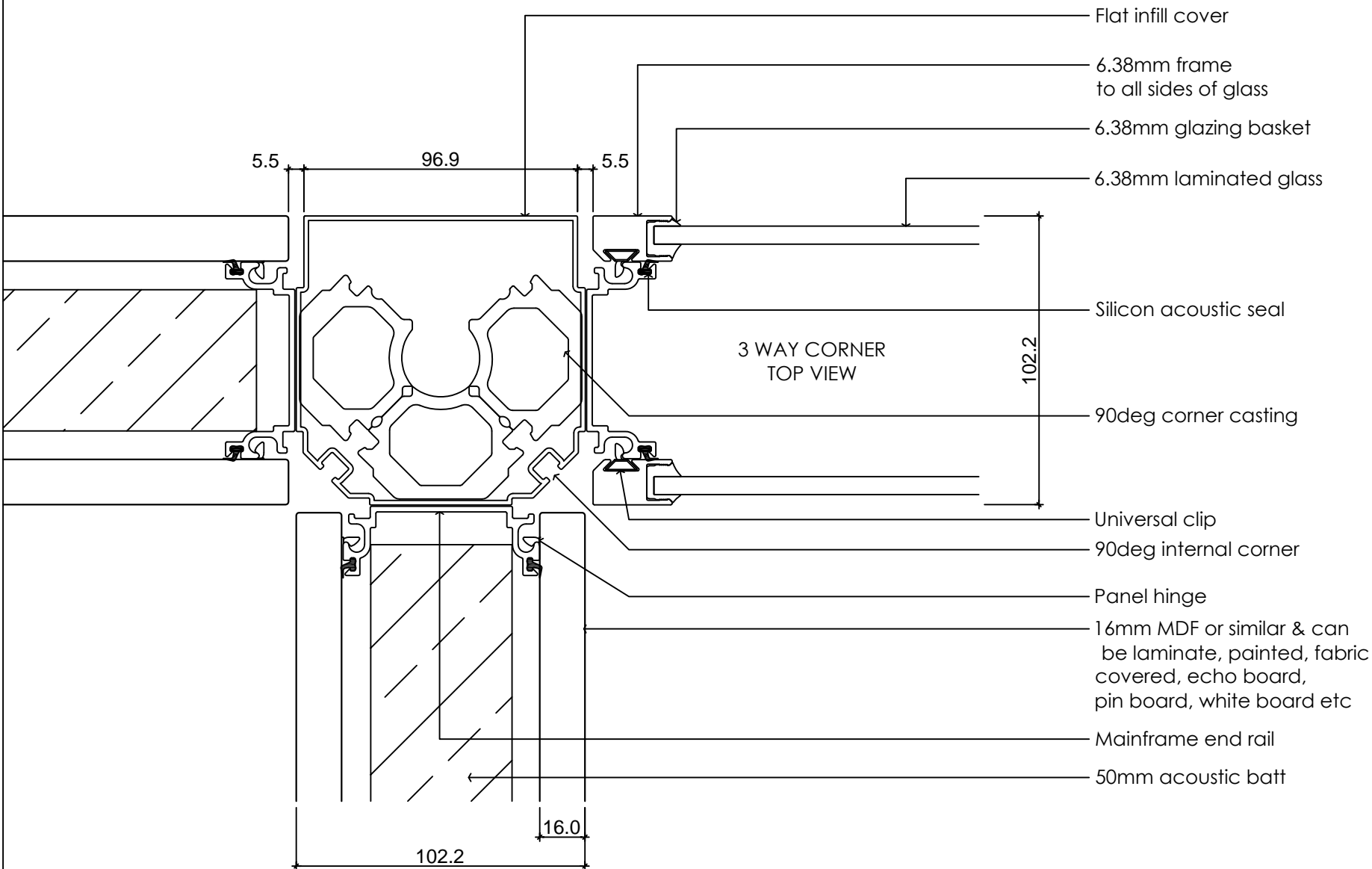


REV	REVISION DETAILS	DATE
A	For Information	11.10.13



CLIENT:
Formula Interiors

PRODUCT:
Shift Partition

DRAWING TITLE:
Detail 2
3 way junction section

PROJECT No: DRAWING No:
3 way

SCALE: ISSUE:
1:2@A4 A



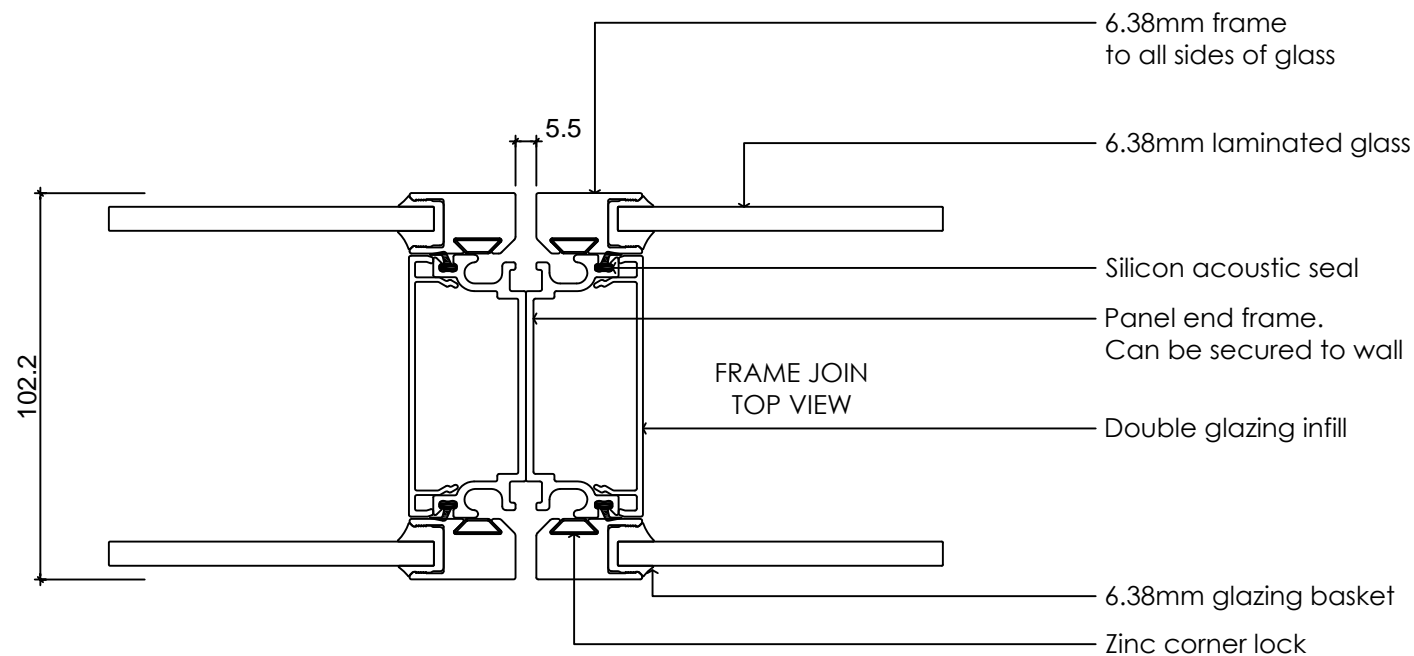
Formula Interiors
Level 4, 27 Albert Avenue
Chatswood NSW 2067
Tel: +61 2 8440 2067
Fax: +61 2 8840 5811
www.formulainteriors.com.au

NOTE: DO NOT SCALE DIMENSIONS FROM DRAWINGS.
ALL SITE MEASUREMENTS AND SERVICES SHALL BE CHECKED
PRIOR TO THE COMMENCEMENT OF ANY WORKS.
THESE DRAWINGS AND DESIGN CONCEPTS REMAIN THE
PROPERTY OF FORMULA INTERIORS PTY LTD.

formula

Glass is 6.38/8.38/10.38 laminated or 6mm/8mm/10mm in toughened. Glazing basket to suit

REV	REVISION DETAILS	DATE
A	For Information	11.10.13



CLIENT:
Formula Interiors

PRODUCT:
Shift Partition

DRAWING TITLE:
Detail 5
Frame join section

PROJECT No: DRAWING No:
Frame join

SCALE: ISSUE:
1:2@A4 A



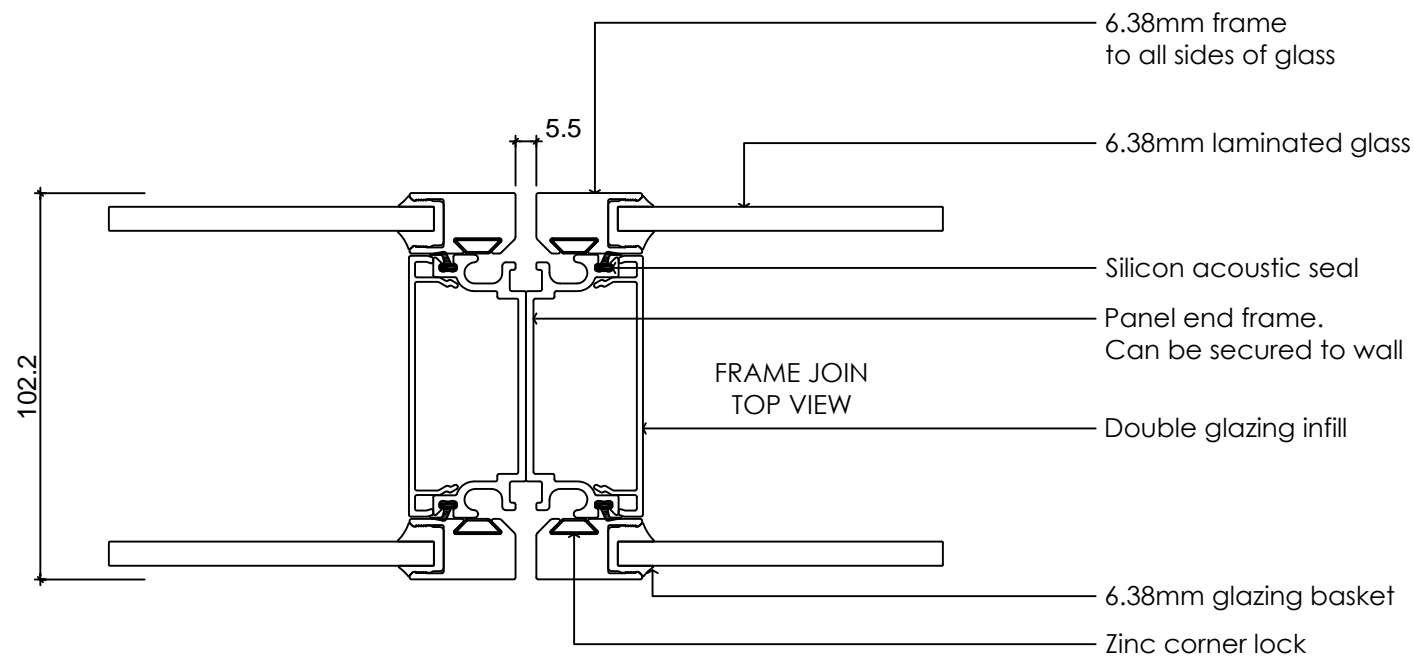
Formula Interiors
Level 4, 27 Albert Avenue
Chatswood NSW 2067
Tel: +61 2 8440 2067
Fax: +61 2 8840 5811
www.formulainteriors.com.au

NOTE: DO NOT SCALE DIMENSIONS FROM DRAWINGS.
ALL SITE MEASUREMENTS AND SERVICES SHALL BE CHECKED
PRIOR TO THE COMMENCEMENT OF ANY WORKS.
THESE DRAWINGS AND DESIGN CONCEPTS REMAIN THE
PROPERTY OF FORMULA INTERIORS PTY LTD.

formula

Glass is 6.38/8.38/10.38 laminated or 6mm/8mm/10mm in toughened. Glazing gasket to suit

REV	REVISION DETAILS	DATE
A	For Information	11.10.13



CLIENT:
Formula Interiors

PRODUCT:
Shift Partition

DRAWING TITLE:
Detail 5
Frame join section

PROJECT No: DRAWING No:
Frame join

SCALE: ISSUE:
1:2@A4 A



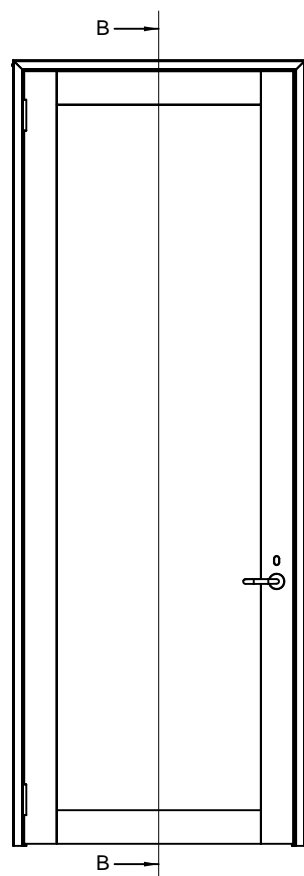
Formula Interiors
Level 4, 27 Albert Avenue
Chatswood NSW 2067
Tel: +61 2 8440 2067
Fax: +61 2 8840 5811
www.formulainteriors.com.au

NOTE: DO NOT SCALE DIMENSIONS FROM DRAWINGS.
ALL SITE MEASUREMENTS AND SERVICES SHALL BE CHECKED
PRIOR TO THE COMMENCEMENT OF ANY WORKS.
THESE DRAWINGS AND DESIGN CONCEPTS REMAIN THE
PROPERTY OF FORMULA INTERIORS PTY LTD.

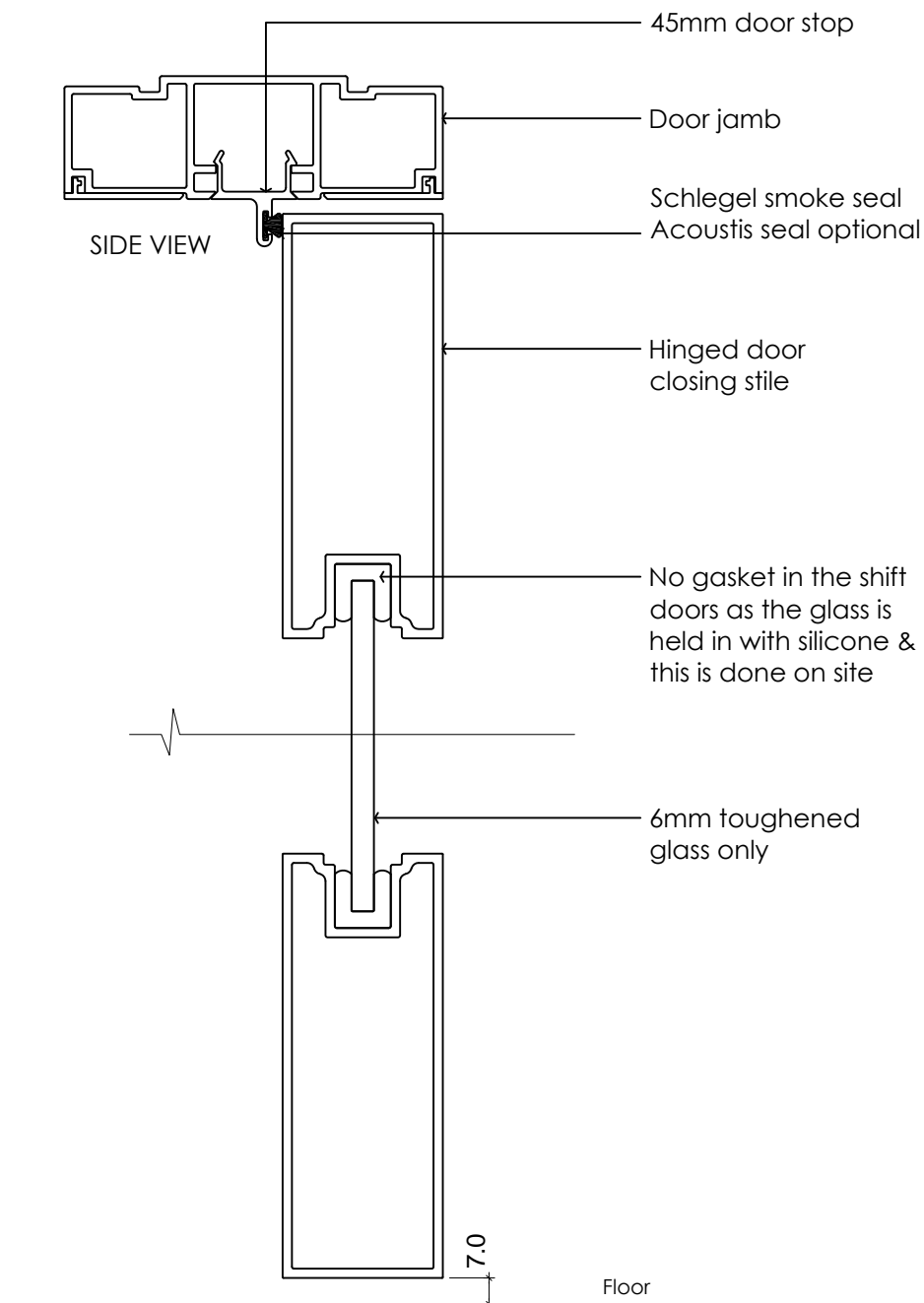
formula

Glass is 6.38/8.38/10.38 laminated or 6mm/8mm/10mm in toughened. Glazing gasket to suit

REV	REVISION DETAILS	DATE
A	For Information	11.10.13



Door glass is 6mm only.



CLIENT:
Formula Interiors

PRODUCT:
Shift Partition

DRAWING TITLE:
Detail 9 - Section B
Hinged door & frame

PROJECT No: DRAWING No:
Hinged door

SCALE: ISSUE:
1:2@A4 A

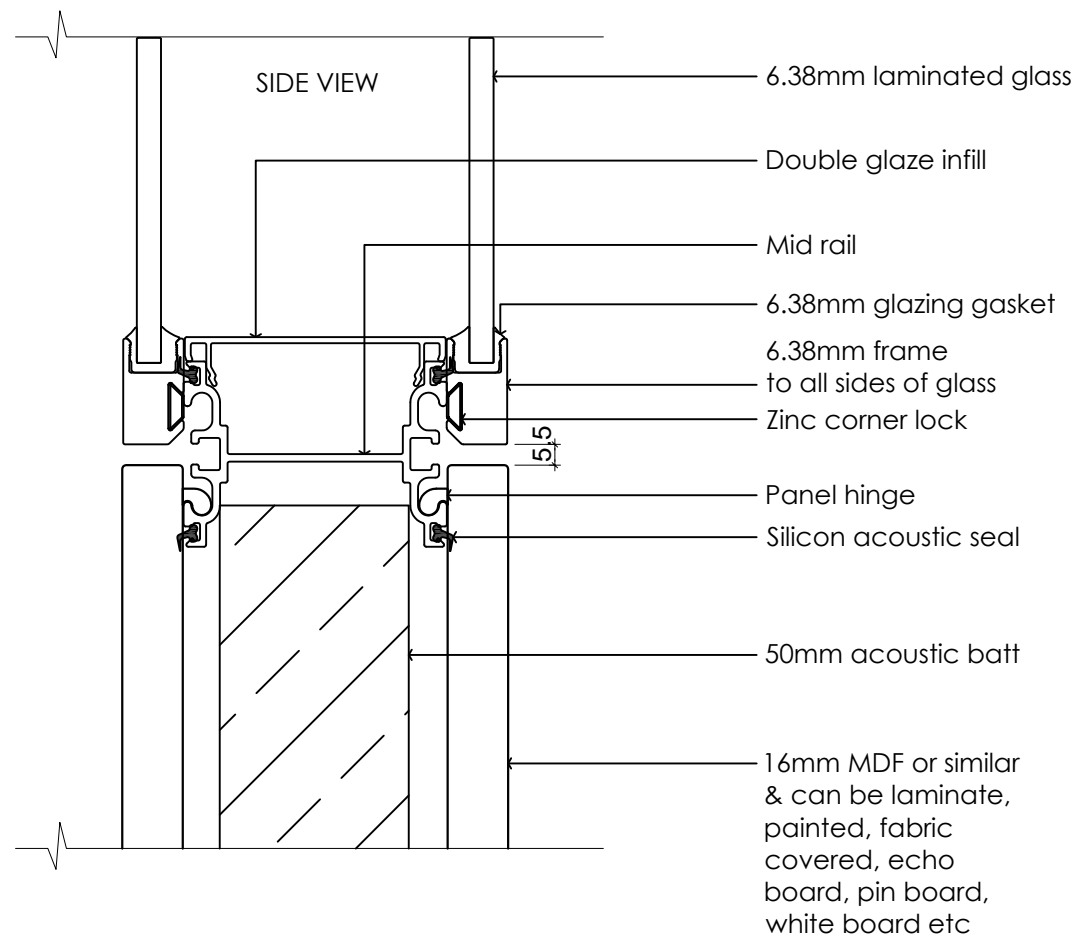


Formula Interiors
Level 4, 27 Albert Avenue
Chatswood NSW 2067
Tel: +61 2 8440 2067
Fax: +61 2 8840 5811
www.formulainteriors.com.au

NOTE: DO NOT SCALE DIMENSIONS FROM DRAWINGS.
ALL SITE MEASUREMENTS AND SERVICES SHALL BE CHECKED
PRIOR TO THE COMMENCEMENT OF ANY WORKS.
THESE DRAWINGS AND DESIGN CONCEPTS REMAIN THE
PROPERTY OF FORMULA INTERIORS PTY LTD.

formula

REV	REVISION DETAILS	DATE
A	For Information	11.10.13



CLIENT:
Formula Interiors

PRODUCT:
Shift Partition

DRAWING TITLE:
Detail 7
Frame joint section

PROJECT No: DRAWING No:
Frame join

SCALE: ISSUE:
1:2@A4 A

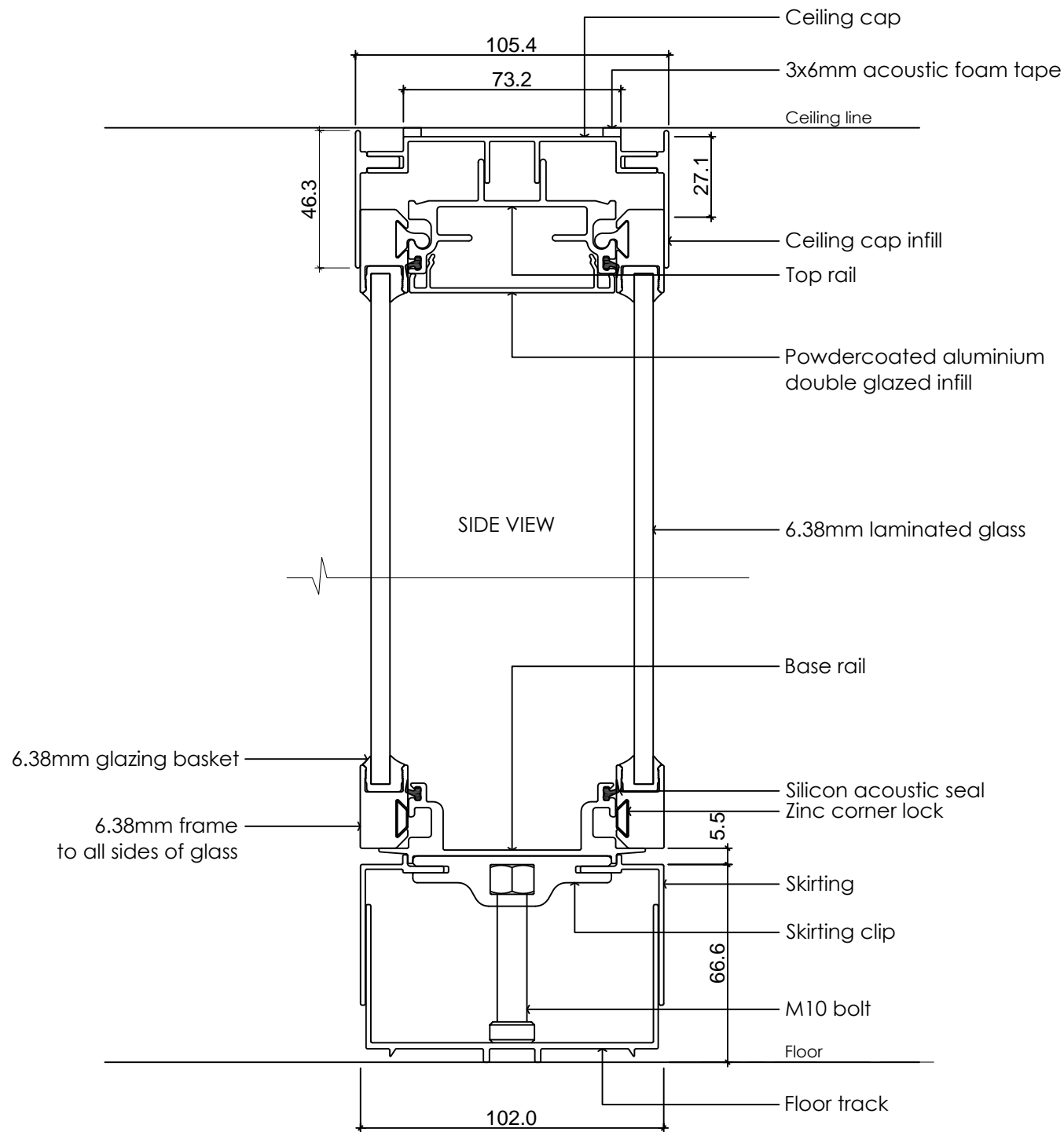


Formula Interiors
Level 4, 27 Albert Avenue
Chatswood NSW 2067
Tel: +61 2 8440 2067
Fax: +61 2 8840 5811
www.formulainteriors.com.au

NOTE: DO NOT SCALE DIMENSIONS FROM DRAWINGS.
ALL SITE MEASUREMENTS AND SERVICES SHALL BE CHECKED
PRIOR TO THE COMMENCEMENT OF ANY WORKS.
THESE DRAWINGS AND DESIGN CONCEPTS REMAIN THE
PROPERTY OF FORMULA INTERIORS PTY LTD.

formula

Glass is 6.38/8.38/10.38 laminated or 6mm/8mm/10mm in toughened. Glazing basket to suit



REV	REVISION DETAILS	DATE
A	For Information	11.10.13

CLIENT:
Formula Interiors

PRODUCT:
Shift Partition

DRAWING TITLE:
Detail 4

Panel side view section

PROJECT No: DRAWING No:
Panel side

SCALE: ISSUE:
1:2@A4 A



Formula Interiors
Level 4, 27 Albert Avenue
Chatswood NSW 2067
Tel: +61 2 8440 2067
Fax: +61 2 8840 5811
www.formulainteriors.com.au

NOTE: DO NOT SCALE DIMENSIONS FROM DRAWINGS.
ALL SITE MEASUREMENTS AND SERVICES SHALL BE CHECKED
PRIOR TO THE COMMENCEMENT OF ANY WORKS.
THESE DRAWINGS AND DESIGN CONCEPTS REMAIN THE
PROPERTY OF FORMULA INTERIORS PTY LTD.

formula

Glass is 6.38/8.38/10.38 laminated or 6mm/8mm/10mm in toughened. Glazing basket to suit